

SPECIALIZED FACADES PRODUCTS



Salamander Brick Slip Innovation Limited
 External Facades BrickSlip
 242 Edgware Road
 London, W2 1DS
 Phone: 0753 4217 555 / 0203 1504 009
 Email: info@salamanderbrickslip.co.uk

Salamander BrickSlip System Isometric View

Paper Size : A3

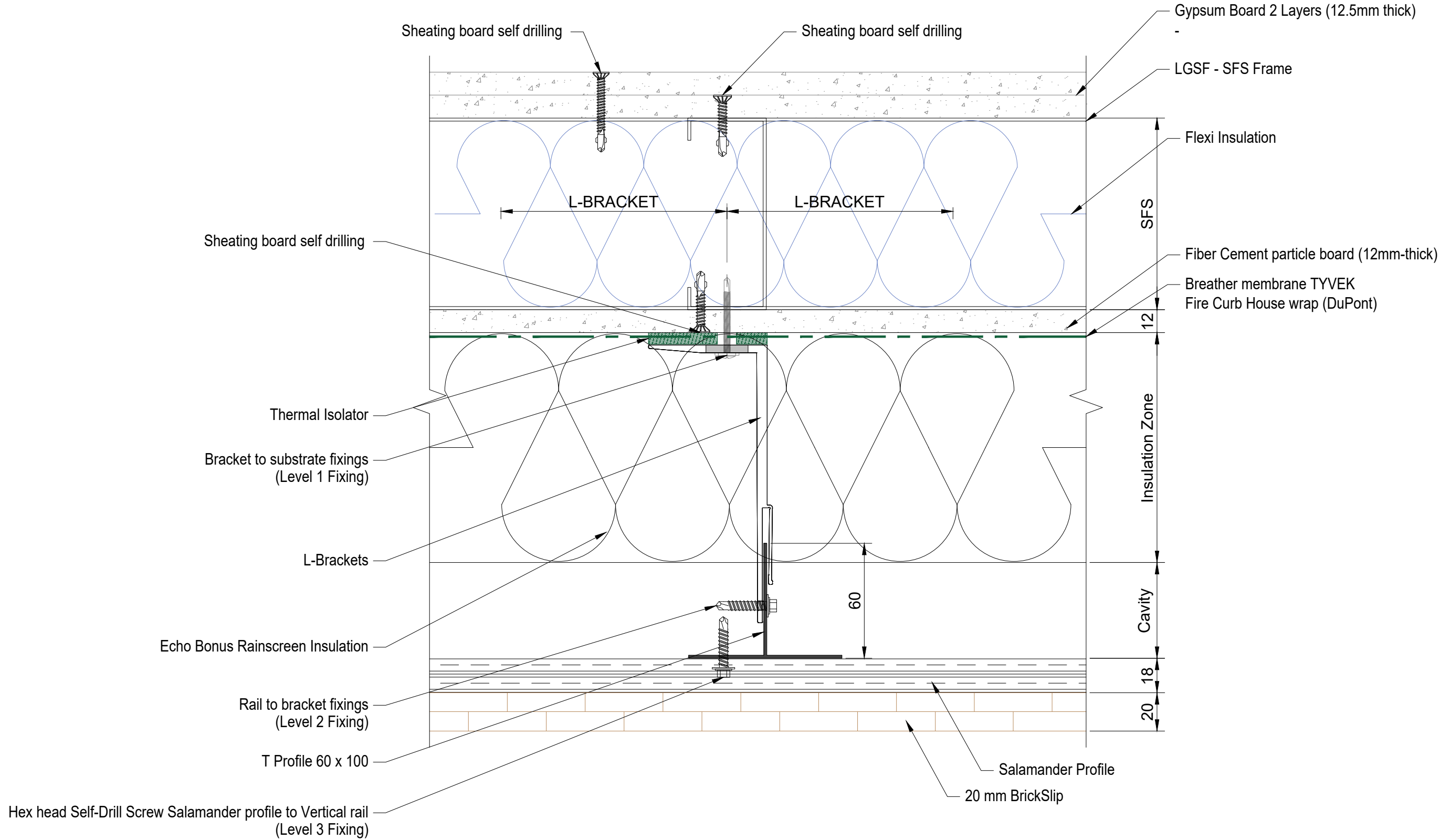
Scale : 1:2.5

Drawn : AFH

Salamander BrickSlip System
 Wall Cladding Detail Book

Salamander System Isometric View

Book REF. ECHO-FCD-DWG-DET-004



SPECIALIZED FACADES PRODUCTS



Salamander Brick Slip Innovation Limited
 External Facades BrickSlip
 242 Edgware Road
 London, W2 1DS
 Phone: 0753 4217 555 / 0203 1504 009
 Email: info@salamanderbrickslip.co.uk

Salamander BrickSlip System Wall Built Up (SFS) - Plan

Paper Size : A3

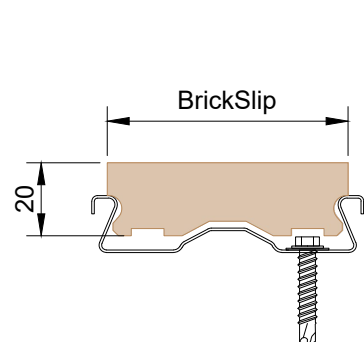
Scale : 1:2

Drawn : FA

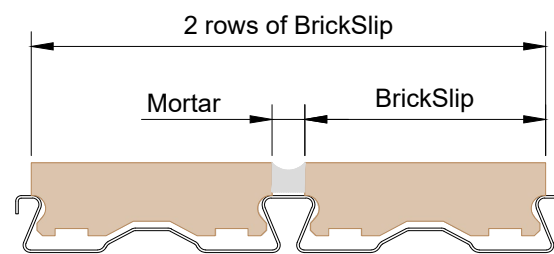
Salamander BrickSlip System
 Wall Cladding Detail Book

Wall Built Up on (SFS) Plan

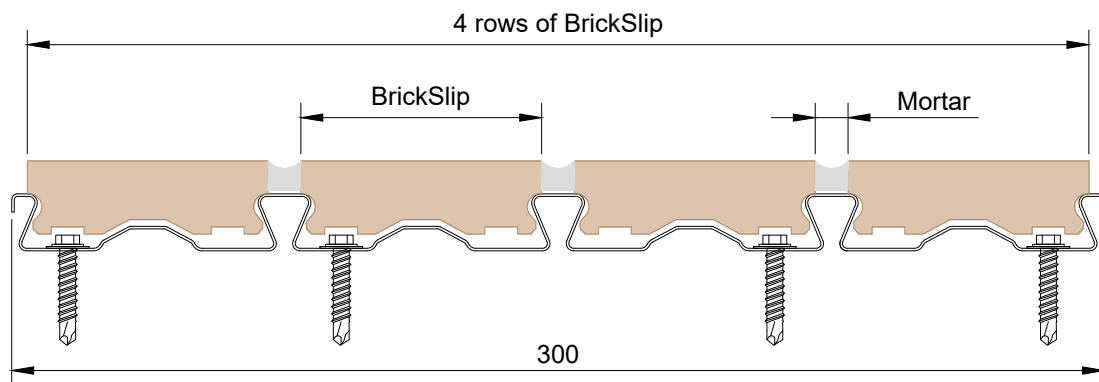
Book REF. ECHO-FCD-DWG-DET-003



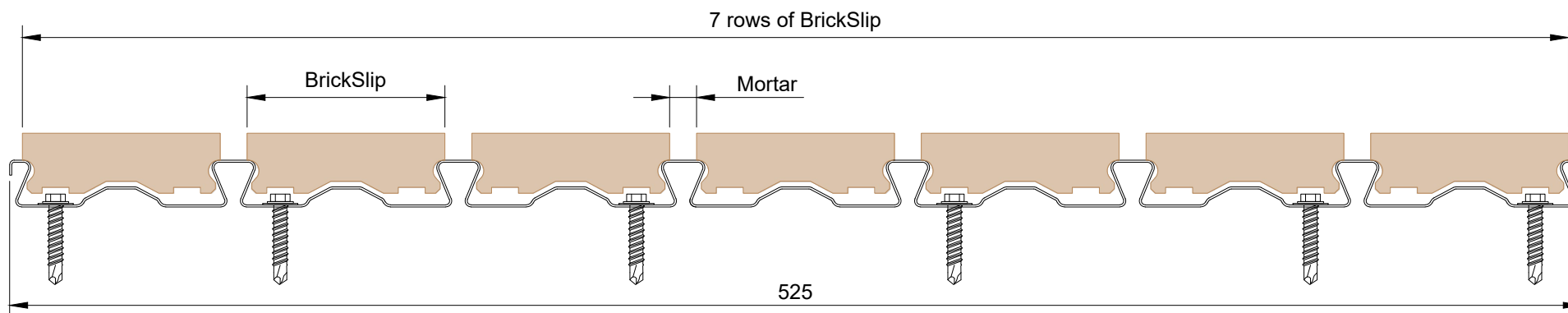
Salamander Profile (1 row) for BrickSlip Facades



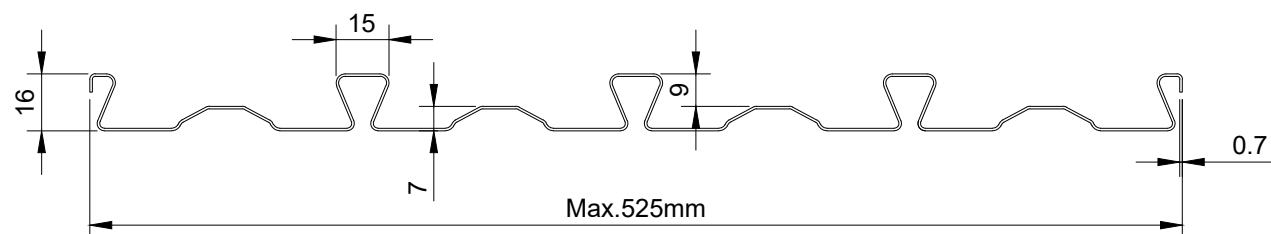
Salamander Profile (2 rows) for BrickSlip Facades



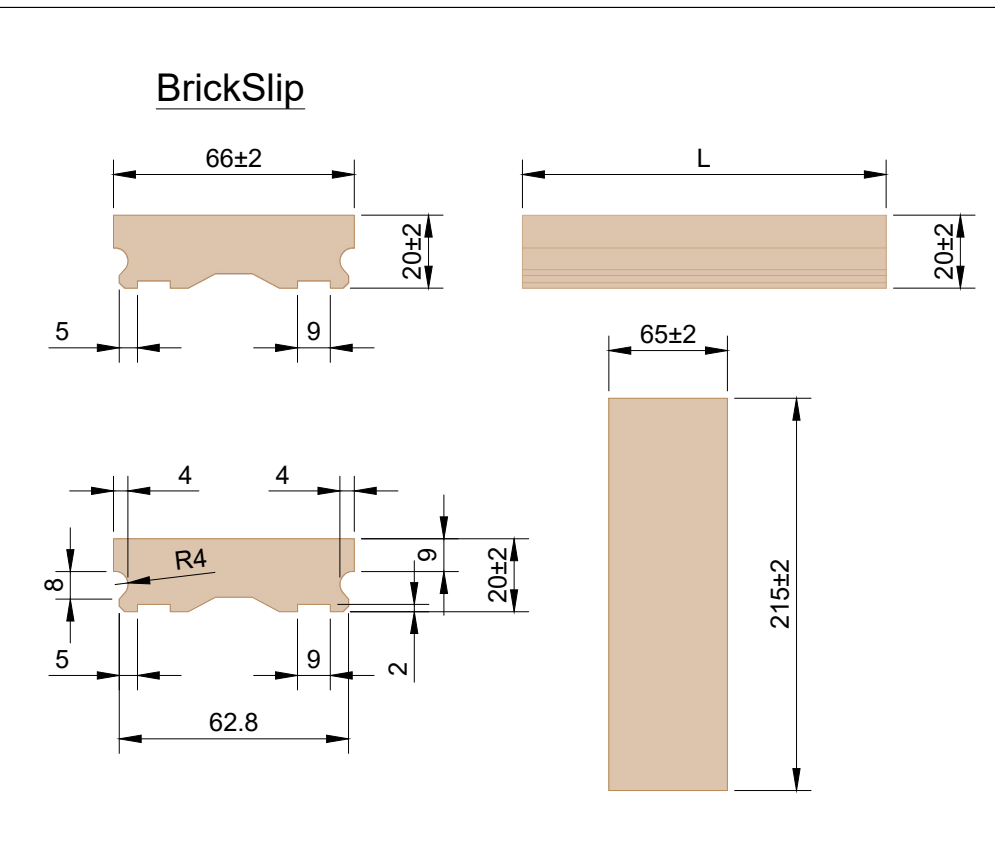
Salamander Profile (4 rows) for BrickSlip Facades



Salamander Profile (7 rows) for BrickSlip Facades



Typical Salamander Profile



Salamander Profile (1-7 rows) for BrickSlip Facades

SPECIALIZED FACADES PRODUCTS



Salamander Brick Slip Innovation Limited
 External Facades BrickSlip
 242 Edgware Road
 London, W2 1DS
 Phone: 0753 4217 555 / 0203 1504 009
 Email: info@salamanderbrickslip.co.uk

SALAMANDER PROFILE FOR BRICKSLIP FACADES

Paper Size : A3

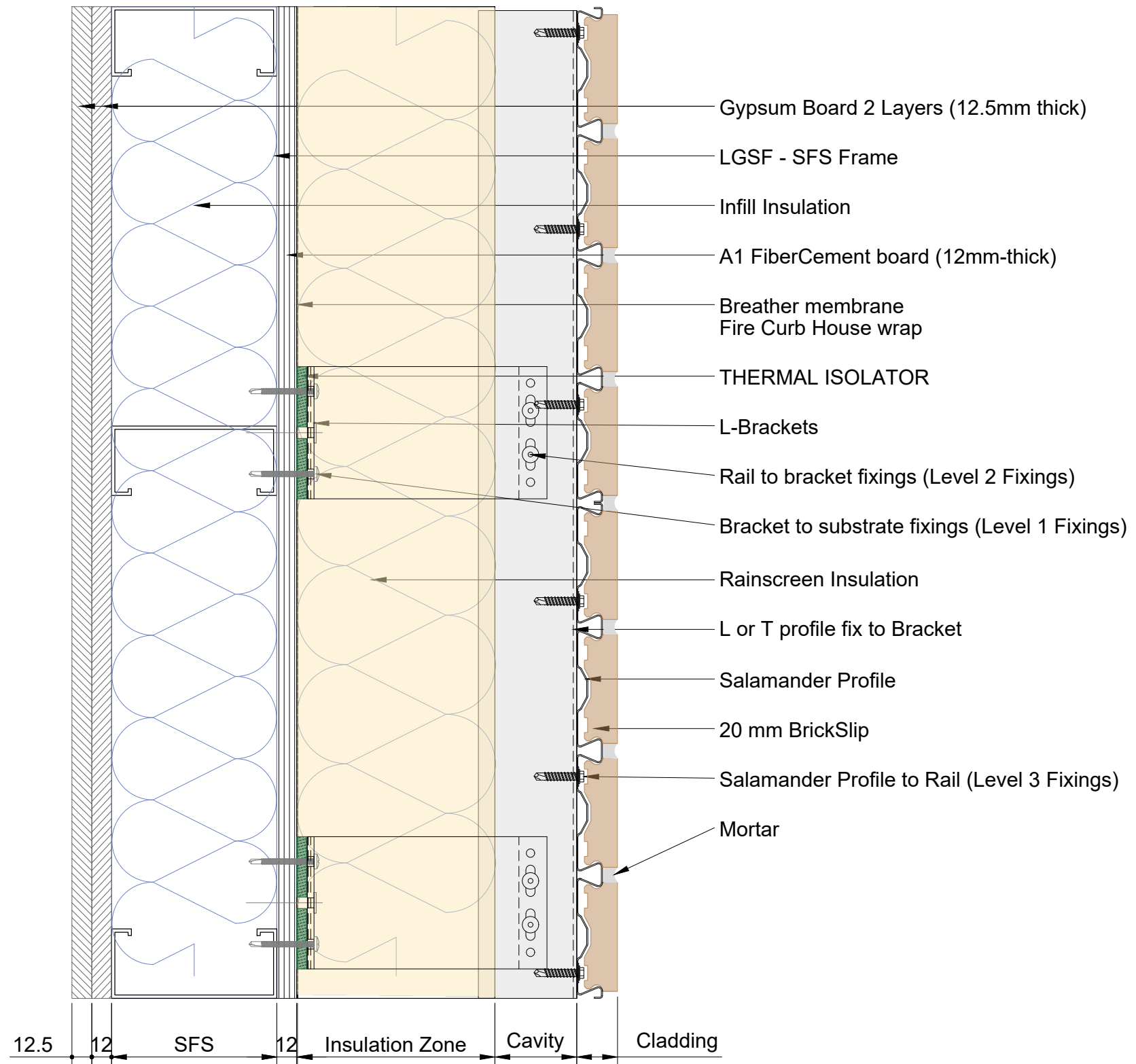
Scale : 1:2

Drawn : AFH

Salamander BrickSlip System
 Wall Cladding Detail Book

Salamander Profile (1-7 rows)

Book REF. ECHO-FCD-DWG-DET-002



SPECIALIZED FACADES PRODUCTS



Salamander Brick Slip Innovation Limited
 External Facades BrickSlip
 242 Edgware Road
 London, W2 1DS
 Phone: 0753 4217 555 / 0203 1504 009
 Email: info@salamanderbrickslip.co.uk

Salamander BrickSlip System Wall Built Up Detail

Paper Size : A3

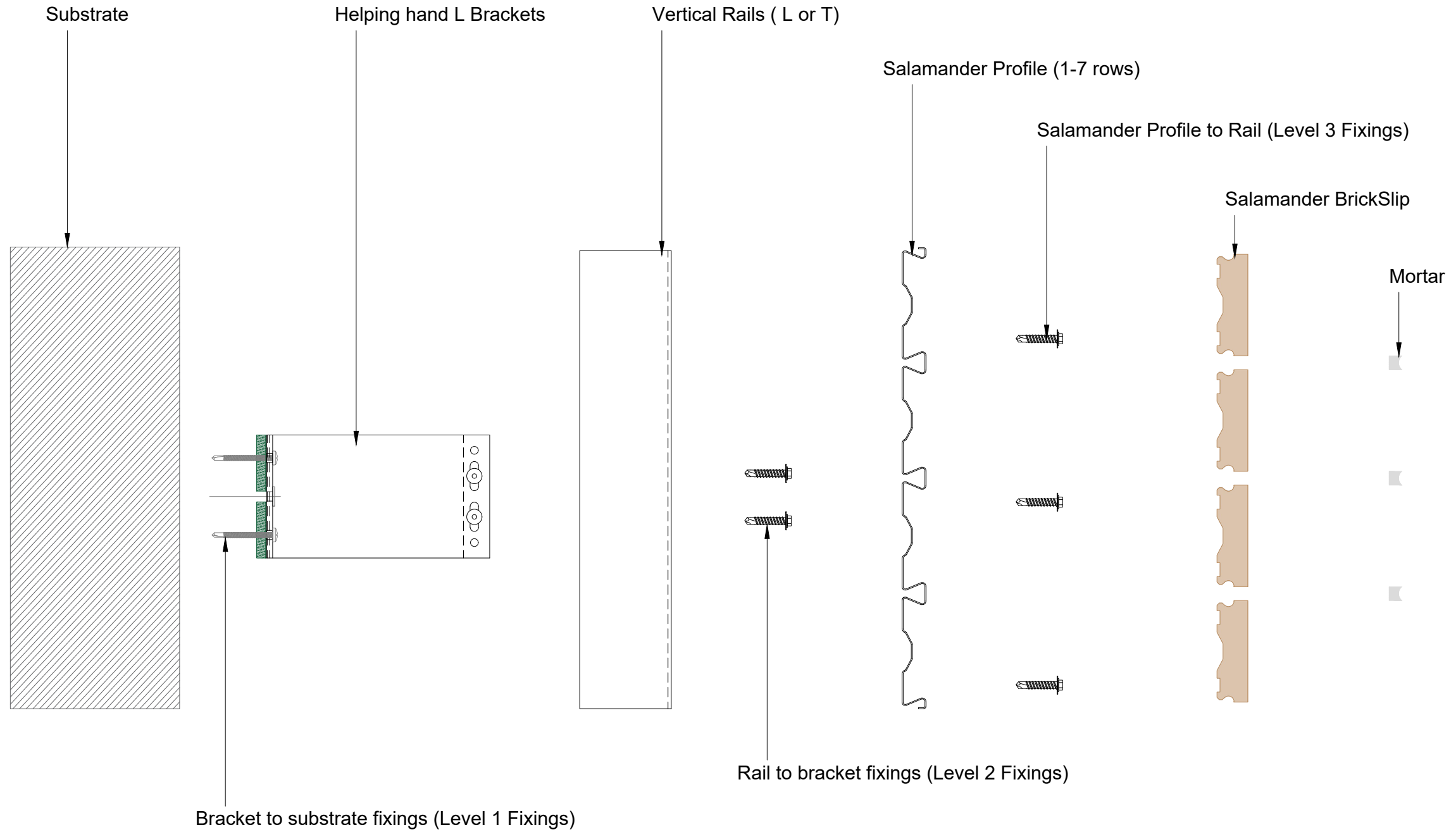
Scale : 1:3

Drawn : FA

Salamander BrickSlip System
 Wall Cladding Detail Book

Salamander Wall Built Up Detail

Book REF. ECHO-FCD-DWG-DET-001



SPECIALIZED FACADES PRODUCTS



Salamander Brick Slip Innovation Limited
 External Facades BrickSlip
 242 Edgware Road
 London, W2 1DS
 Phone: 0753 4217 555 / 0203 1504 009
 Email: info@salamanderbrickslip.co.uk

Salamander System Exploded View

Paper Size : A3

Scale : 1:3

Drawn : FA

Salamander BrickSlip System
 Wall Cladding Detail Book

Salamander System Exploded View

Book REF. ECHO-FCD-DWG-DET-000